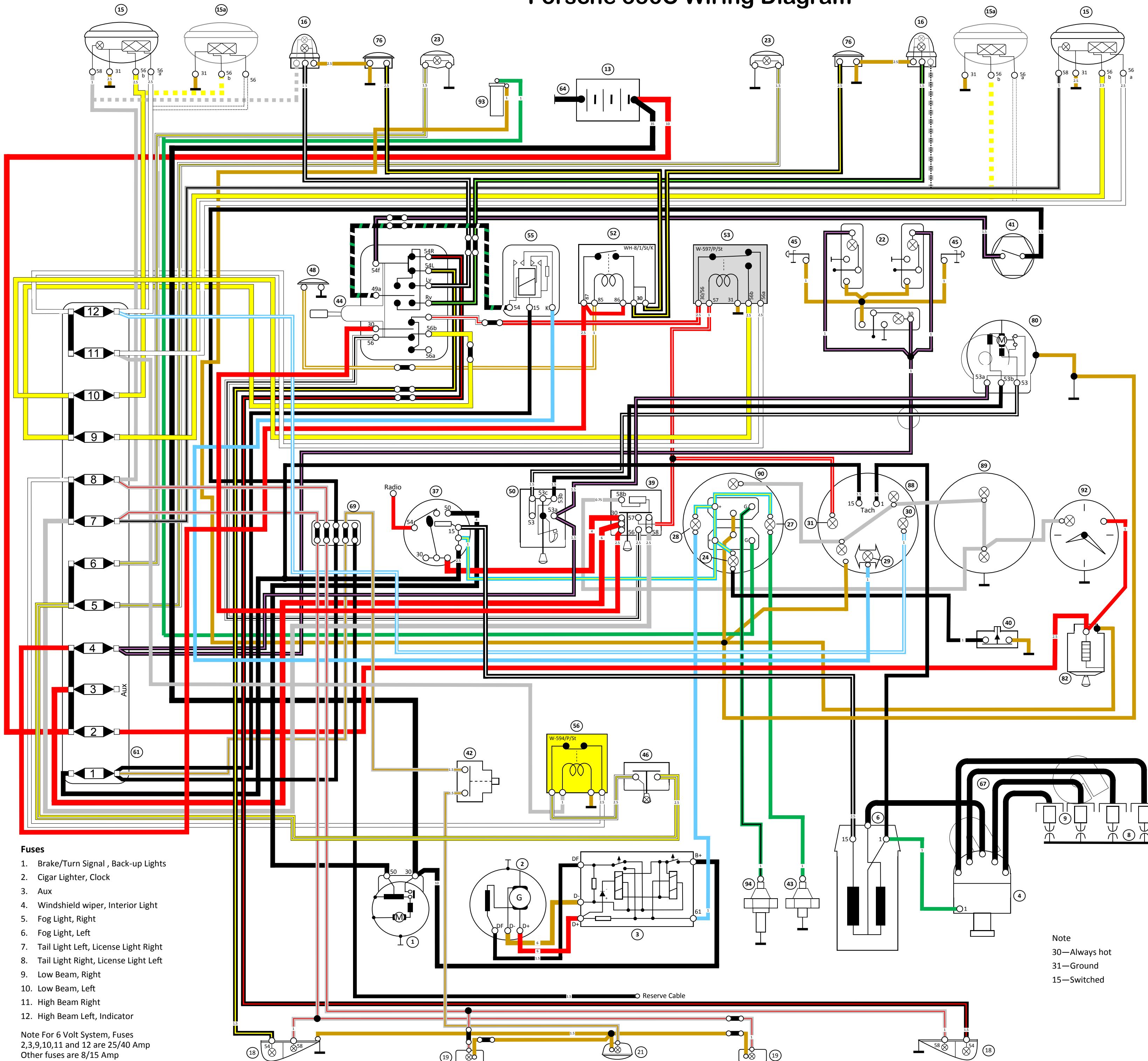


Porsche 356C Wiring Diagram



| No. | Item | Remarks |
|-----|--|---------------------------------------|
| 1 | Starter | |
| 2 | Generator | |
| 3 | Regulator | |
| 4 | Distributor | |
| 6 | Ignition Coil | |
| 8 | Spark Plug | |
| 9 | Spark Plug Socket | |
| 13 | Battery | |
| 15 | Headlight with Parking Light | |
| 15a | Sealed Beam | USA Export only |
| 16 | Signal Light | USA with Parking Light |
| 18 | Brake/tail Light | |
| 19 | License Plate Light | |
| 21 | Back-up Light | |
| 22 | Interior Light | Coupe 2 ea; Cabrio 1 ea; Hardtop 1 ea |
| 23 | Fog Lights | Optional |
| 24 | Hand Brake Warning Light | |
| 27 | Oil Pressure Indicator | Combi-Instrument |
| 28 | Generator Warning Light | |
| 29 | Turn Signal Indicator Light | |
| 30 | High Beam Indicator Light | On Tachometer |
| 31 | Parking Light Indicator Light | |
| 37 | Ignition-Starter Switch | |
| 39 | Head Light Switch | |
| 40 | Hand Brake Indicator Switch | |
| 41 | Brake Light Switch | |
| 42 | Back-up Light Switch | |
| 43 | Oil Pressure Switch | |
| 44 | Signal/Dimmer Switch | |
| 45 | Door Contact Switches | |
| 46 | Fog Light Switch | Optional |
| 48 | Horn Button | |
| 50 | Windshield Wiper Switch | |
| 52 | Horn Relay | |
| 53 | Light Signal Relay | |
| 55 | Turn Signal Flasher | |
| 56 | Fog Light Relay | Optional |
| 61 | Fuse Box | |
| 63 | Forward Wire Loom | |
| 64 | Battery Ground Strap, Instrument Wire Loom | |
| 65 | Rear Wire Loom | |
| 67 | Ignition Cables | |
| 69 | Plug Connector | |
| 76 | Twin Horns | |
| 80 | Windshield Wiper | |
| 82 | Cigar Lighter | |
| 88 | Tachometer | |
| 89 | Speedometer | |
| 90 | Combination Meter | |
| 92 | Electric Clock | |
| 93 | Fuel Gauge Sender | |
| 94 | Oil Thermometer Sender | |

- Fuses**
- 1. Brake/Turn Signal, Back-up Lights
 - 2. Cigar Lighter, Clock
 - 3. Aux
 - 4. Windshield wiper, Interior Light
 - 5. Fog Light, Right
 - 6. Fog Light, Left
 - 7. Tail Light Left, License Light Right
 - 8. Tail Light Right, License Light Left
 - 9. Low Beam, Right
 - 10. Low Beam, Left
 - 11. High Beam Right
 - 12. High Beam Left, Indicator

Note For 6 Volt System, Fuses 2,3,9,10,11 and 12 are 25/40 Amp Other fuses are 8/15 Amp

Note
30—Always hot
31—Ground
15—Switched