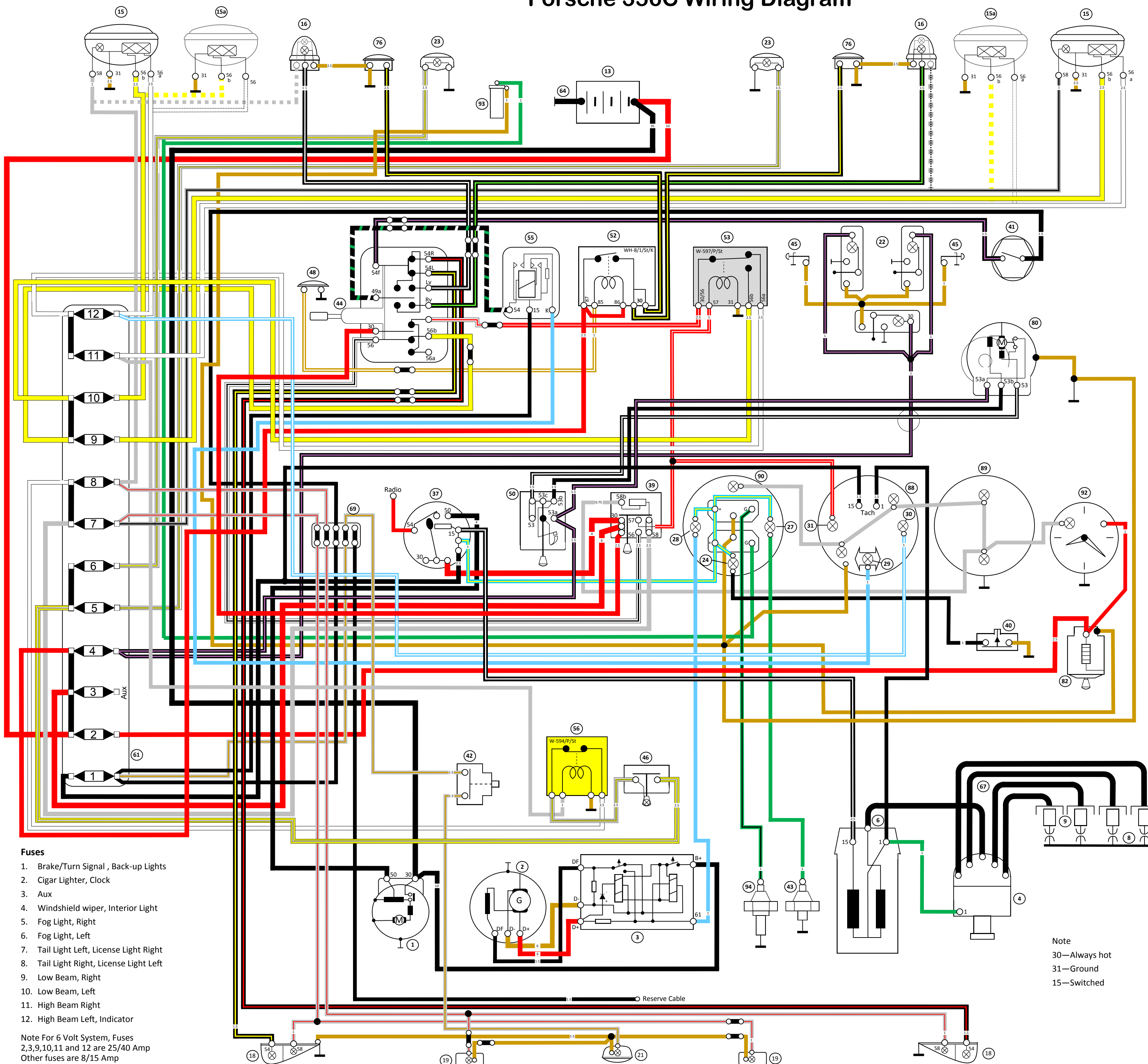


Porsche 356C Wiring Diagram



No.	Item	Remarks
1	Starter	
2	Generator	
3	Regulator	
4	Distributor	
6	Ignition Coil	
8	Spark Plug	
9	Spark Plug Socket	
13	Battery	
15	Headlight with Parking Light	
15a	Sealed Beam	USA Export only
16	Signal Light	USA with Parking Light
18	Brake/tail Light	
19	License Plate Light	
21	Back-up Light	
22	Interior Light	Coupe 2 ea; Cabrio 1 ea; Hardtop 1 ea
23	Fog Lights	Optional
24	Hand Brake Warning Light	
27	Oil Pressure Indicator	Combi-Instrument
28	Generator Warning Light	
29	Turn Signal Indicator Light	
30	High Beam Indicator Light	On Tachometer
31	Parking Light Indicator Light	
37	Ignition-Starter Switch	
39	Head Light Switch	
40	Hand Brake Indicator Switch	
41	Brake Light Switch	
42	Back-up Light Switch	
43	Oil Pressure Switch	
44	Signal/Dimmer Switch	
45	Door Contact Switches	
46	Fog Light Switch	Optional
48	Horn Button	
50	Windshield Wiper Switch	
52	Horn Relay	
53	Light Signal Relay	
55	Turn Signal Flasher	
56	Fog Light Relay	Optional
61	Fuse Box	
63	Forward Wire Loom	
64	Battery Ground Strap	
65	Instrument Wire Loom	
66	Rear Wire Loom	
67	Ignition Cables	
69	Plug Connector	
76	Twin Horns	
80	Windshield Wiper	
82	Cigar Lighter	
88	Tachometer	
89	Speedometer	
90	Combination Meter	
92	Electric Clock	
93	Fuel Gauge Sender	
94	Oil Thermometer Sender	

- Fuses**
- 1. Brake/Turn Signal, Back-up Lights
 - 2. Cigar Lighter, Clock
 - 3. Aux
 - 4. Windshield wiper, Interior Light
 - 5. Fog Light, Right
 - 6. Fog Light, Left
 - 7. Tail Light Left, License Light Right
 - 8. Tail Light Right, License Light Left
 - 9. Low Beam, Right
 - 10. Low Beam, Left
 - 11. High Beam Right
 - 12. High Beam Left, Indicator

Note For 6 Volt System, Fuses 2,3,9,10,11 and 12 are 25/40 Amp Other fuses are 8/15 Amp

Note
30—Always hot
31—Ground
15—Switched